

# DSA-PDFS

Premium Disposal Flange with Strainer



## Info:

Premium 304 Stainless Steel  
Garbage Disposal Flange

For use with Dakota<sup>™</sup> brand  
Garbage Disposals



## Features:

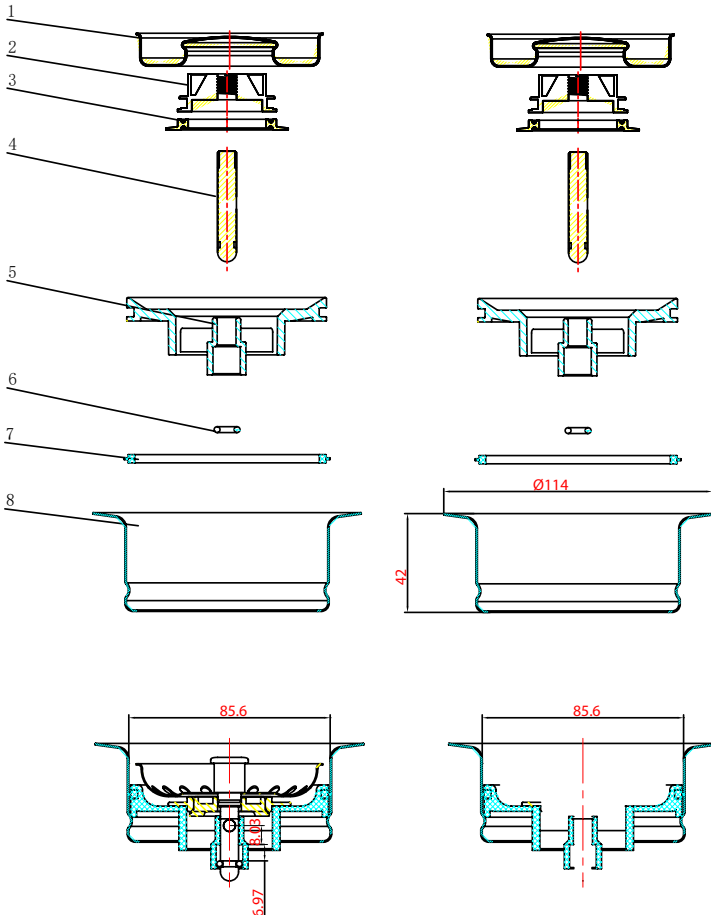
- Basket Stopper
- Simple push/pull function
- Easy basket removal
- Fits standard 3.5" drain openings

## Certifications:

- CE
- ETL
- CB
- CSA
- ROHS

## Warranty:

- Lifetime Limited Warranty



## Available Color/Finish



Actual color may vary depending on lighting.

## Applies to Models:

- DSA-PDFSSS
- DSA-PDFSCP
- DSA-PDFSGD
- DSA-PDFSGBK
- DSA-PDFSSV